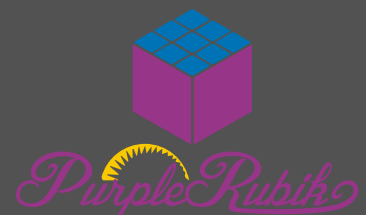


# Presola<sup>®</sup> String Inverter

Photovoltaic Inverter 1.5-25KW Series



PurpleRubik New Energy Technology Co., Ltd.

# Jupiter Series Three-phase String Inverters

## PJ-4K / 5K / 6K / 8K / 10K / 11K / 12KTL-DT

- ◇ Exquisite
- ◇ Trustworthy
- ◇ Intelligent
- ◇ Profitable



### FEATURES

- Components from world class suppliers
- Automotive class PCB technology
- Optimized thermal design
- Optimized algorithm
- Integrated enclosure & silicone rubber sealing
- Integrated air valve
- 1000 hours of neutral salt spray testing
- User friendly interface
- Intelligent monitoring system

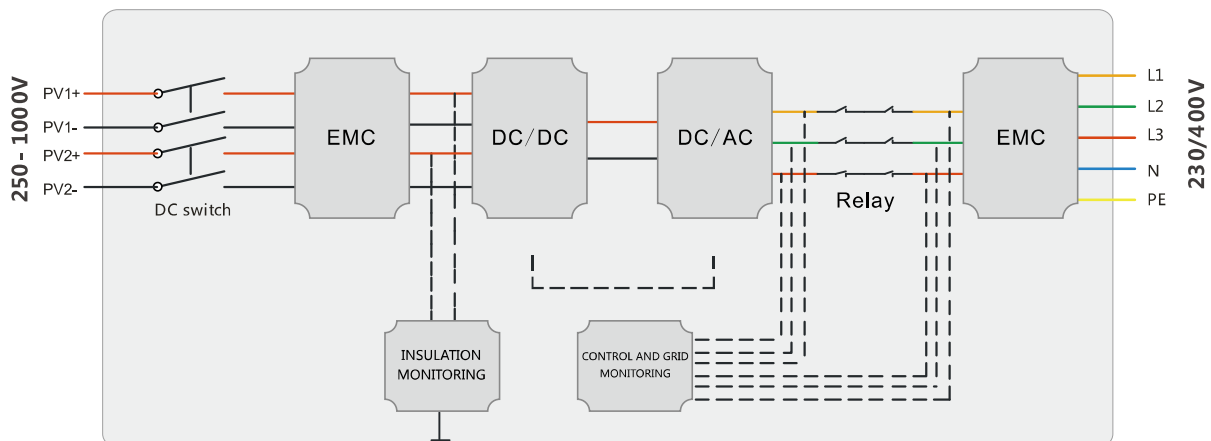
### ADVANTAGES

- Longer MTBF (Mean Time Between Failures)
- Higher quality guaranteed
- Lower heat generation  
Faster heat dissipation
- Accurate real-time tracking in wide voltage/frequency range
- High performance sealing possible  
Less chance of moisture invasion
- Reduction of condensation
- Suitable for harsh environments
- Easy to operate
- Easy to manage and maintain

### BENEFITS

- More electricity output  
Less down time
- Reliable and stable under severe conditions
- Lower internal operation temperature  
Longer component life
- High efficiency and reliability
- Reliable and stable under severe conditions
- Operable in more applications: fishing ponds, agricultural area, greenhouses, coastal areas
- Easy installation and maintenance possible
- Data analysis  
Less maintenance

### CIRCUIT DIAGRAM



# Jupiter Series Three-phase String Inverters

## PJ-4K / 5K / 6K / 8K / 10K / 11K / 12KTL-DT

### TECHNICAL DATA

MODEL	PJ-4KTL-DT	PJ-5KTL-DT	PJ-6KTL-DT	PJ-8KTL-DT	PJ-10KTL-DT	PJ-11KTL-DT	PJ-12KTL-DT
<b>Input (DC)</b>							
Max. DC Power	4800W	6000W	7200W	9600W	12000W	13200W	14400W
Max Input Voltage	1000Vdc	1000Vdc	1000Vdc	1000Vdc	1000Vdc	1000Vdc	1000Vdc
MPP Operation Voltage Range/Nominal Input Voltage	200 - 950 Vdc / 600Vdc	200 - 950 Vdc / 600Vdc	200 - 950 Vdc / 600Vdc	200 - 950 Vdc / 600Vdc	200 - 950 Vdc / 600Vdc	200 - 950 Vdc / 600Vdc	200 - 950 Vdc / 600Vdc
Startup Voltage	180Vdc	180Vdc	180Vdc	180Vdc	180Vdc	180Vdc	180Vdc
Max. Input Current per String	11A/11A	11A/11A	11A/11A	11A/11A	11A/11A	11A/11A	11A/11A
Short-circuit Current	13A/13A	13A/13A	13A/13A	13A/13A	13A/13A	13A/13A	13A/13A
Number of Independent MPP Inputs	2	2	2	2	2	2	2
Maximum Inverter Backfeed Current to Array	0A	0A	0A	0A	0A	0A	0A
<b>Output (AC)</b>							
Rated Power	4000W	5000W	6000W	8000W	10000W	11000W	12000W
Max. Apparent AC Power	4400VA	5500VA	6600VA	8800VA	11000VA	12100VA	13200VA
Nominal AC Voltage	3/N/PE~, 400V						
AC Power Frequency	50Hz/60Hz						
Max. Output Current	6.4Aac	8.0Aac	9.6 Aac	12.8 Aac	15.9 Aac	17.5 Aac	19.1 Aac
Power Factor Range	0.8 ind...0.8 cap						
Total Harmonic Distortion(THD)	< 3%	< 3%	< 3%	< 3%	< 3%	< 3%	< 3%
Feed-in Phases/Connection Phases	3W/N/PE	3W/N/PE	3W/N/PE	3W/N/PE	3W/N/PE	3W/N/PE	3W/N/PE
Inrush Current(Peak and Duration)	3.3Apeak@7.8ms	4.8Apeak@7.8ms	4.8Apeak@7.8ms	5.2Apeak@7.8ms	5.3Apeak@7.8ms	5.4Apeak@7.8ms	5.5Apeak@7.8ms
Maximum Output Fault Current	Integrated						
Maximum Output Overcurrent Protection	Integrated						
<b>Efficiency</b>							
Max. Efficiency	>98.0%	>98.0%	>98.0%	>98.1%	>98.1%	>98.1%	>98.2%
European Weighted Efficiency	>97.4%	>97.4%	>97.4%	>97.6%	>97.6%	>97.6%	>97.8%
<b>Protective Devices</b>							
DC Reverse Polarity Protection	Yes						
DC Switch	Optional						
AC Over Current Protection	Yes						
Ground Fault Monitoring	Yes						
Grid Monitoring	Yes						
Residual Current Monitoring Unit	Yes						
<b>General Data</b>							
Dimensions (W/H /D)	502x 182x395						
Weight	20.5 Kg	20.5 Kg	20.5 Kg	20.5 kg	21Kg	21Kg	21Kg
Operating Temperature Range	-25°C ... +60°C						
Noise Emission (typical)	< =35dB(A)						
Max. Operating Altitude	>2000m derating						
Standby Losses	<1W						
Topology	Transformerless						
Cooling Concept	Natural Convection						
Degree of Protection (according to IEC 60529)	IP65						
Relative Humidity	0-100%, no condensation						
DC Connection Type	MC/Amphenol/Phoenix						
AC Connection Type	Plug-in Connector						
Display	3.5 Inch LCD						
Interface	Rs485 (WiFi/GPRS Optional)						
Warranty	5/10 years(Optional)						
Certificates and approvals	VDE AR-N-4105, VDE 0126-1-1+A1, CE, G83/2, UTE C15-712, MEA, PEA, AS4777, NB/T32004-2013						

\*The AC voltage and frequency range may vary due to local regulations.

# Jupiter Series Three-phase String Inverters

## PJ-15K / 17K / 20K / 25KTL-DT

- ◇ Exquisite
- ◇ Trustworthy
- ◇ Intelligent
- ◇ Profitable



### FEATURES

- Components from world class suppliers
- Automotive class PCB technology
- Optimized thermal design
- Optimized algorithm
- Integrated enclosure & silicone rubber sealing
- Integrated air valve
- 1000 hours of neutral salt spray testing
- User friendly interface
- Intelligent monitoring system

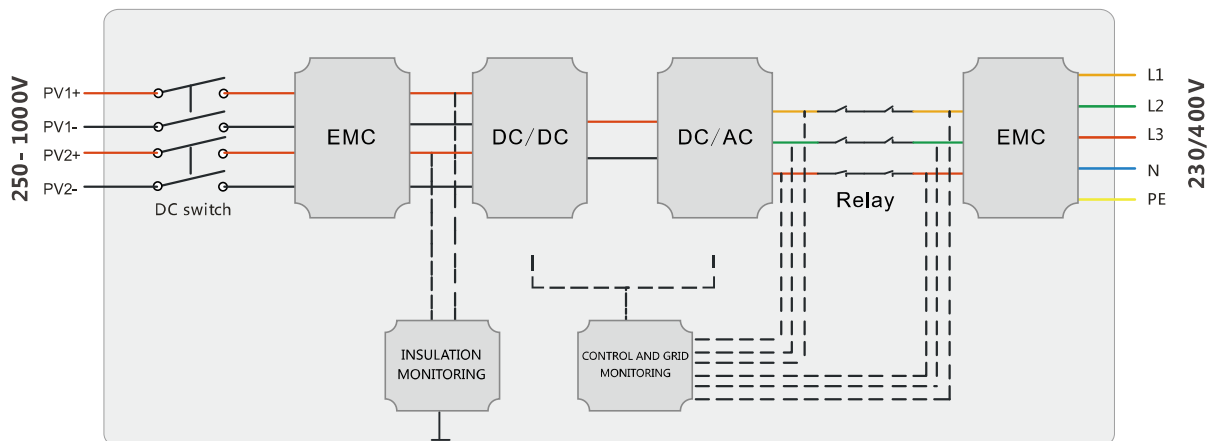
### ADVANTAGES

- Longer MTBF (Mean Time Between Failures)
- Higher quality guaranteed
- Lower heat generation  
Faster heat dissipation
- Accurate real-time tracking in wide voltage/frequency range
- High performance sealing possible  
Less chance of moisture invasion
- Reduction of condensation
- Suitable for harsh environments
- Easy to operate
- Easy to manage and maintain

### BENEFITS

- More electricity output  
Less down time
- Reliable and stable under severe conditions
- Lower internal operation temperature  
Longer component life
- High efficiency and reliability
- Reliable and stable under severe conditions
- Operable in more applications: fishing ponds, agricultural area, greenhouses, coastal areas
- Easy installation and maintenance possible
- Data analysis  
Less maintenance

### CIRCUIT DIAGRAM



# Jupiter Series Three-phase String Inverters

## PJ-15K / 17K / 20K / 25KTL-DT

### TECHNICAL DATA

MODEL	PJ-15KTL-DT	PJ-17KTL-DT	PJ-20KTL-DT	PJ-25KTL-DT
<b>Input (DC)</b>				
Max. DC Power	15600W	17700W	20800W	25800W
Max Input Voltage	1000Vdc	1000Vdc	1000Vdc	1000Vdc
MPP Operation Voltage Range/Nominal Input Voltage	200 - 950 Vdc / 600Vdc	200 - 950 Vdc / 600Vdc	200 - 950 Vdc / 600Vdc	200 - 950 Vdc / 600Vdc
Startup Voltage	210Vdc	210Vdc	210Vdc	210Vdc
Max.Input Current per String	22A/22A	22A/22A	22A/22A	27A/27A
Short-circuit Current	25A/25A	27.5A/27.5A	27.5A/27.5A	33.8A/33.8A
Number of Independent MPP Inputs	2	2	2	2
Maximum Inverter Backfeed Current to Array	0A	0A	0A	0A
<b>Output(AC)</b>				
Rated Power	15000W	17000W	20000W	25000W
Max. Apparent AC Power	15000VA	17000VA	20000VA	25000VA
Nominal AC Voltage	220V/230V/240V			
AC Power Frequency	50Hz/60Hz			
Max. Output Current	22Aac	25Aac	30Aac	37Aac
Power Factor Range	0.8 ind...0.8 cap			
Total Harmonic Distortion(THD)	< 3%	< 3%	< 3%	< 3%
Feed-in Phases/Connection Phases	3W/N/PE	3W/N/PE	3W/N/PE	3W/N/PE
Inrush Current(Peak and Duration)	70Apeak@7.0ms	75Apeak@7.0ms	75.5Apeak@6.5ms	77Apeak@7.05ms
Maximum Output Fault Current	Integrated			
Maximum Output Overcurrent Protection	Integrated			
<b>Efficiency</b>				
Max. Efficiency	>98.2%	>98.2%	>98.4%	>98.4%
European Weighted Efficiency	>97.5%	>97.6%	>97.6%	>98.1%
<b>Protective Devices</b>				
DC Reverse Polarity Protection	Yes			
DC Switch	Optional			
AC Over Current Protection	Yes			
Ground Fault Monitoring	Yes			
Grid Monitoring	Yes			
Residual Current Monitoring Unit	Yes			
<b>General Data</b>				
Dimensions (W/H /D)	502x 182x395			
Weight	39Kg	39Kg	39Kg	39Kg
Operating Temperature Range	-25°C ... +60°C			
Noise Emission (typical)	< =35dB(A)			
Max. Operating Altitude	> 2000m derating			
Standby Losses	< 1W			
Topology	Transformerless			
Cooling Concept	Fan Cooling			
Degree of Protection (according to IEC 60529)	IP65			
Relative Humidity	0-100%, no condensation			
DC Connection Type	MC/Amphenol/Phoenix			
AC Connection Type	Plug-in Connector			
Display	3.5 Inch LCD			
Interface	RS 485 (WiFi/GPRS Optional)			
Warranty	5/10 years(Optional)			
Certificates and approvals	VDE AR-N-4105, VDE 0126-1-1+A1, CE, G83/2, UTE C15-712, MEA, PEA, AS4777, NB/T32004-2013			

\*The AC voltage and frequency range may vary due to local regulations.